



RD40

Tandem Rollers

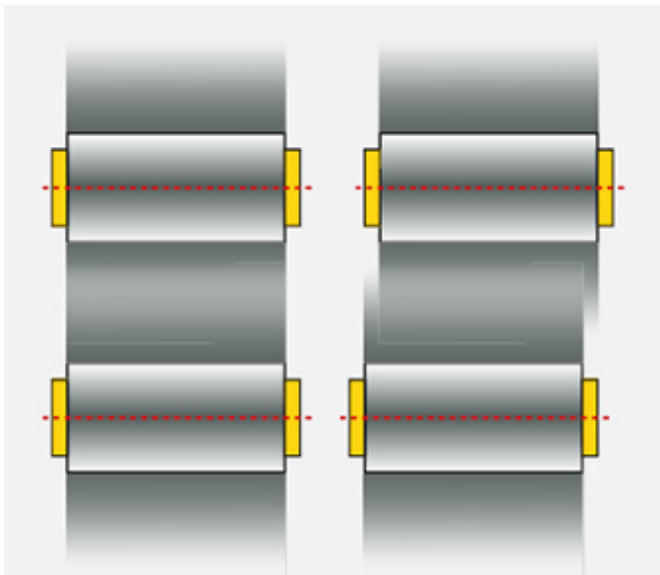


Reliable results: the RD40 series

Thanks to a well-balanced weight distribution on the front and rear drum, the articulated RD40 roller models ensure for very uniform compaction results. In addition, all models offer a very good driving stability and first-class maneuverability. The perfect view of the area to be compacted and the large drum diameter also contribute to the premium results. The ROPS (Roll Over Protective Structure), which can be folded back for transport, allows for absolutely safe working.

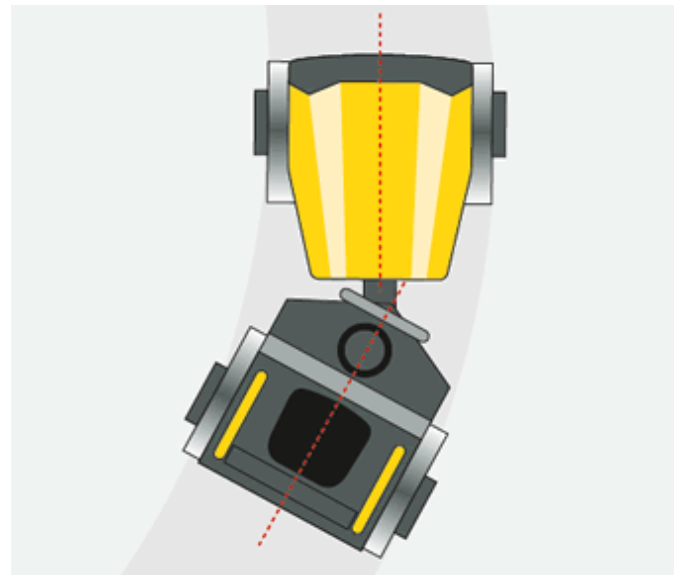
- Installed articulated pendulum joint ensures for even compaction, a high level of maneuverability and a high level of driving stability
- Three model versions: Tandem-axle roller with 2 vibrating drums, combination roller or tandem-axle roller with oscillating drum
- Optimal visual conditions due to the slim design
- Edge pressing and cutting equipment for a clean edge of the paths
- Safe ROPS (Roll Over Protective Structure) that can be folded back for transport

Crab steering



The drum offset allows for easy maneuvering when compacting along walls. In crab steering, the roller can be conveniently controlled in any desired direction.

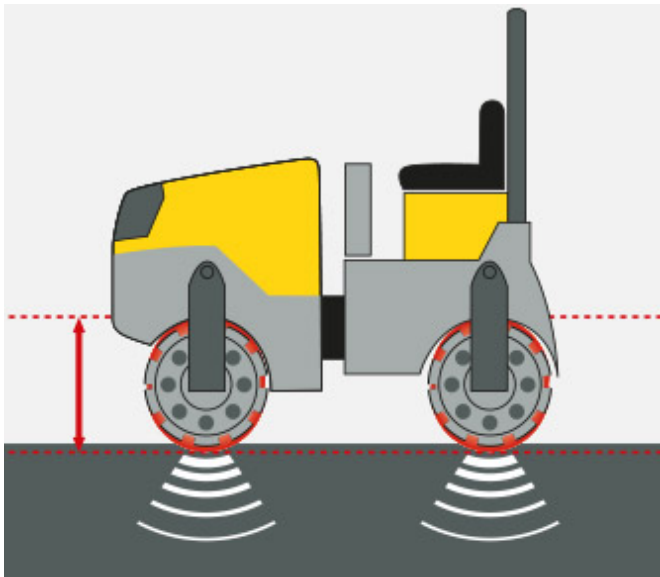
Articulated pendulum joint



Uniform compaction, optimal driving stability: The three-point articulated pendulum joint ensures a uniform weight distribution on the front and rear drum at all times. This also improves the maneuverability and provides for maximum stability when turning curves.



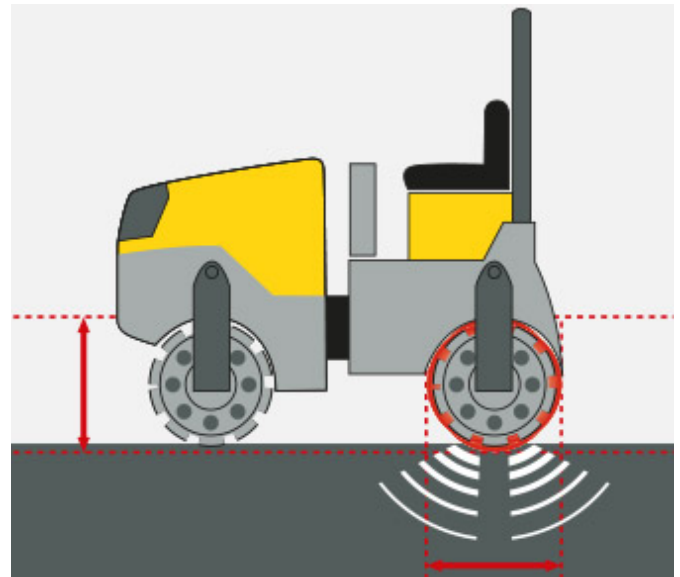
Vibrating drum



Ideal for all traditional compaction work.

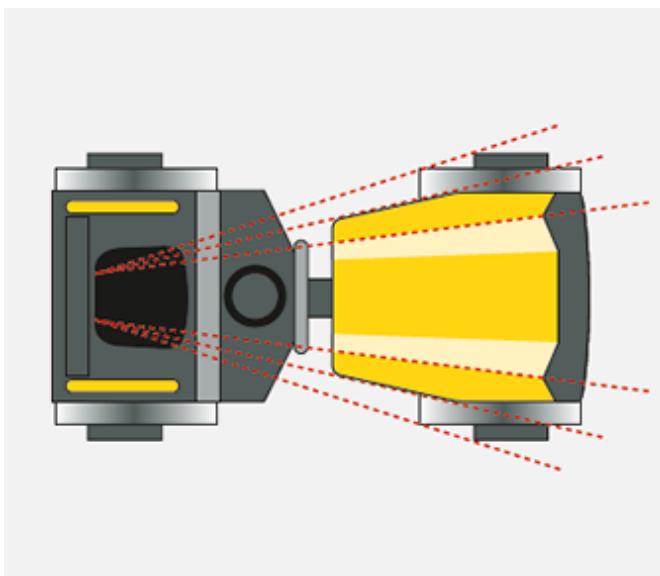
The vibrating drum optimally oscillates the material to be compacted with quick successive vertical forces. The built-in eccentric weight provides for a fast rotation and an excellent compaction performance.

Oscillating drum



Flawlessly compacts even asphalt at low temperatures. Perfectly suited for the compaction of seams (hot to cold). Trouble-free operation on bridges.

Rollers with an oscillating drum compact with a high efficiency, since the drums maintain permanent contact with the ground. With its two synchronous rotating eccentric weights, the drum uses forward and reverse movements to direct its entire compaction force into the ground.



Optimal view

Everything is perfectly within view: With the specially designed, tapered design of the roller, you always have an excellent view of the drum edges, the machine environment and the job site.



Service network

We are always there for you: Thanks to our close-knit service network, you can always rely on our quick support.



Finely tiered model selection

Different tonnages and a diverse selection of tandem-axle rollers with vibration and oscillating drums as well as combination rollers: Choose exactly the model that you need for your project.



First-class compaction performance

Regardless of which of our models you choose – one thing is certain: You will be impressed with the compaction performance of our rollers. Guaranteed!



Built-in user comfort

All of the Wacker Neuson models can be easily operated for particularly pleasant work.



Technical specifications

	RD40-130	RD40-130C	RD40-1300
Operating data			
Operating weight with ROPS kg	3,965	3,825	4,015
Operating weight max. kg	4,920	4,790	5,230
L x W x H mm	2,860 x 1,426 x 2,720	2,860 x 1,426 x 2,720	2,860 x 1,426 x 2,720
Drum width mm	1,300	1,300	1,300
Drum diameter mm	900	900	900
Operating width mm	1,350	1,338	1,350
Ground clearance Middle mm	305	305	305
Drum type Front	smooth / undivided	smooth / undivided	smooth / undivided
Drum type Rear	smooth / undivided	Tires	smooth / undivided
Axle load Front kg	2,005	2,005	2,005
Axle load Rear kg	1,960	1,820	2,010
Curb clearance mm	63	63	63
Centrifugal force Level I kN	64	64	64
Centrifugal force Level II kN	39	39	39
Frequency Level I Hz	60	60	0
Frequency Level II Hz	51	51	0
Amplitude Level I mm	0.51	0.51	0.51
Amplitude Level II mm	0.31	0.31	0.31
Oscillation frequency Level I Hz	0	0	39
Oscillation frequency Level II Hz	0	0	30
Linear force static (front) N/mm	15.5	15.5	15.8
Linear force static (rear) N/mm	15.1		16.5
Advance travel max. m/min	11	11	11
Gradeability with vibration %	30	30	30
Gradeability without vibration %	40	40	40
Turning radius mm	2,690	2,690	2,690
Engine / Motor			
Engine / Motor type	4-cylinder diesel engine	4-cylinder diesel engine	4-cylinder diesel engine
Engine / Motor manufacturer	Kubota	Kubota	Kubota
Engine performance ISO 14396 kW	34.6	34.6	34.6
Tank capacity Fuel l	73	73	73



	RD40-130	RD40-130C	RD40-1300
Tank capacity Water l	285	285	285

Please note

that product availability can vary from country to country. It is possible that information / products may not be available in your country. More detailed information on engine power can be found in the operator's manual; the stated power may vary due to specific operating conditions.

Subject to alterations and errors excepted. Applicable also to illustrations.

Copyright © 2016 Wacker Neuson SE.