


## Sheet pile element KKP



 Sheet pile element KKP

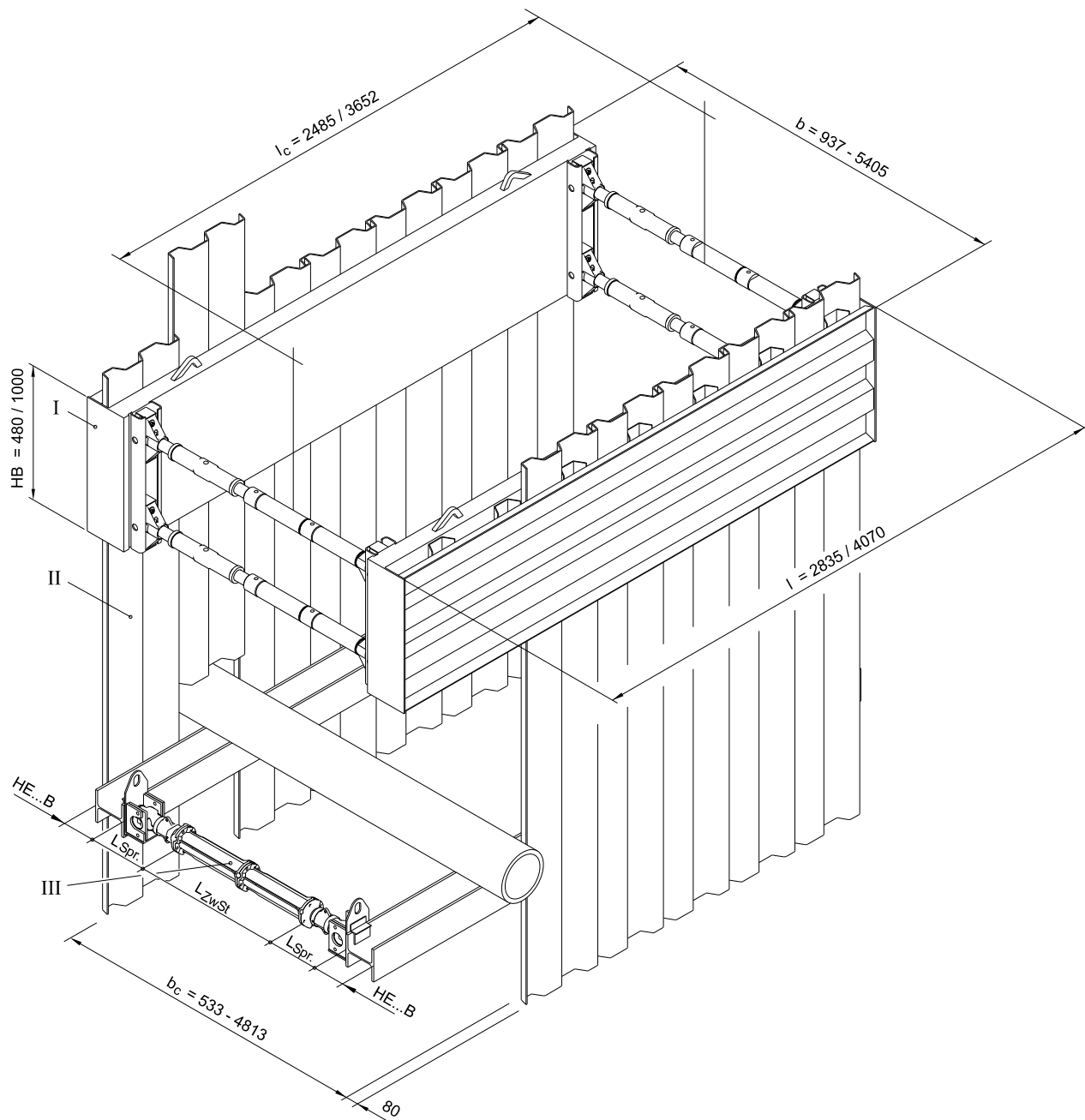
Shoring length	2,83 m - 4,07 m
Height base unit	0,48 m / 1,00 m
Number of sheet piles	14 Stck. KD 4 / KD 6
Pipe culvert length	max. 3,65 m
Shoring depth	max. 2,30 m / 6,00 m

The Krings piling frame plate system is used for reliable guidance of trench sheets or light sheet piles during installation. After lifting the box into the pre-excavated trench the excavator inserts the sheets into the guide sections of the plates and starts excavating. Replaceable guides make it possible to use trench sheets of different widths and heights. It is a fast and cost saving method and a practical and necessary addition to the use of large area steel shoring systems in urban areas where frequent crossing services are present.

As the trench excavation process proceeds trench sheets are pushed down by the excavator bucket until the final trench depth is reached. Alternatively, the sheets can be driven by a small hydraulic vibrator which allows to install the sheets well below the final pipe level.

This proven shoring system enables the otherwise difficult problems associated with crossing utility lines in urban areas to be efficiently overcome. A highly capable shoring system in its own right, or when integrated as part of a larger Krings shoring system, the Krings piling frame plate shoring system represents a cost effective, flexible and practical solution to shoring problems.

## Sheet pile element KKP



- I Sheet pile element
- II Sheet pile
- III Strut
- HB Height base unit
- l Length

- $l_c$  Pipe culvert length
- b Shoring width
- $b_c$  Inner width
- $h_c$  Pipe culvert height
- $t_{pl}$  Thickness

**Sheet pile element KKP**

(All dimensions in mm)

## Sheet pile element KKP

### Base panels

Art. No.	Short description	l [m]	h [m]	t <sub>pl</sub> [m]	l <sub>c</sub> [m]	G [kg]	A [m <sup>2</sup> ]	Section load [kN/m <sup>2</sup> ]
181 050	Sheet pile panel KKP ST KD4 UP - 2835x500	2,835	<b>0,48</b>	0,208	2,485	293,0	1,42	17,5
181 100	Sheet pile panel KKP ST KD6 CP - 4070x1000	4,070	<b>1,00</b>	0,305	3,652	938,0	4,07	56,1
185 020	Sheet pile panel KKP ST KD6 CPS - 4070x1000	4,144	<b>1,00</b>	0,305	3,652	1020,0	4,07	46,2

181 050 can only be used with KVL-struts.

All pipe culvert heights with strut SP SB 98x550 / 700.

The pipe culvert height depends on the static system.

### Shoring width SP KVL

Art. No.	Description	Inner width b <sub>c</sub> [m]	Trench width b [m]
118 060	SP KVL 70x650	0,533 - 0,627	0,937 - 1,031
118 070	SP KVL 70x740	0,623 - 0,807	1,027 - 1,211
118 090	SP KVL 70x920	0,809 - 1,171	1,213 - 1,575
118 020	SP KVL 70x1280	1,163 - 1,888	1,567 - 2,292

### Shoring widths of SP SB 98x550

Extension bar	Length [m]	Inner width b <sub>c</sub> [m]	Trench width b [m]
	without	0,765 - 0,965	1,404 - 1,604
139 430	0,30	1,065 - 1,265	1,704 - 1,904
139 445	0,50	1,265 - 1,465	1,904 - 2,104
139 385	1,00	1,765 - 1,965	2,404 - 2,604
139 400	1,50	2,265 - 2,465	2,904 - 3,104
139 420	2,00	2,765 - 2,965	3,404 - 3,604
139 425	2,50	3,265 - 3,465	3,904 - 4,104

### Shoring widths of SP SB 98x700

Extension bar	Length [m]	Inner width b <sub>c</sub> [m]	Trench width b [m]
	without	0,941 - 1,281	1,580 - 1,920
139 430	0,30	1,241 - 1,581	1,880 - 2,220
139 445	0,50	1,441 - 1,781	2,080 - 2,420
139 385	1,00	1,941 - 2,281	2,580 - 2,920
139 400	1,50	2,441 - 2,781	3,080 - 3,420
139 420	2,00	2,941 - 3,281	3,580 - 3,920
139 425	2,50	3,441 - 3,781	4,080 - 4,420

## Sheet pile element KKP

### Shoring width SP SB 98x817

Extension bar	Length [m]	Inner width $b_c$ [m]	Trench width $b$ [m]
	without	0,913 - 1,313	1,505 - 1,905
139 510	1 x 0,50	1,413 - 1,813	2,005 - 2,405
139 510	2 x 0,50	1,913 - 2,313	2,505 - 2,905
139 510	3 x 0,50	2,413 - 2,813	3,005 - 3,405
139 510	4 x 0,50	2,913 - 3,313	3,505 - 3,905
139 510	5 x 0,50	3,413 - 3,813	4,005 - 4,405
139 510	6 x 0,50	3,913 - 4,313	4,505 - 4,905
139 510	7 x 0,50	4,413 - 4,813	5,005 - 5,405

### Accessories / Spares

Art. No.	Short description	l [m]	G [kg]	d [m]
138 280	Spindle to stick, SP SB 98x550		22,0	
138 290	Spindle to stick, SP SB 98x700		34,5	
138 300	Spindle to stick, SP SB 98x817, complete		66,0	
138 170	Mushroom FP 80		13,0	
138 030	Bolt 125 x 20	0,125	0,4	0,020
138 070	Bolt 212 x 43	0,212	2,5	0,043
138 040	Bolt 140 x 20	0,140	0,4	0,020
138 200	Spring cotter 92 x 5	0,092	0,1	0,005

l	Length	$t_{pl}$	Thickness
$l_c$	Pipe culvert length	d	Diameter
b	Trench width	A	Area
$b_c$	Inner width	G	Weight
$h_c$	Pipe culvert height	eh	Earth pressure max.