

bema[®]

A clean product line.

TEAM CLEAN
SUPER HEROES
FANTASTIC IN ACTION

bema Titan Dual
bema Jumbo



SUPER HEROES – Features at a glance

Special features

Our bema SUPER HEROES are convincing through their performance; they are made for continuous use on large areas. These robust machines effortlessly cover even rough terrain thanks to the above average brush dimensions (920 mm diameter) and pneumatic tyres (460 mm diameter). The brush roller level adjustment with automatic contour control allows them to sweep on uneven terrain without any problems.

Technical details bema Titan Dual

- Large collection container, laterally guided to compensate for rough terrain
- The dual system enables dirt removal as well as free sweeping. For use as a sweeper, the collection container is hydraulically lifted and mechanically locked in place.
- Two motors are entirely integral within the brush.
- The spindle adjustment of the brush roller is completed by means of a hand wheel; correct adjustment is assured through a height indicator for each side.
- The premiumhydroblock located on the back of the machine includes all necessary control units, i.e. pressure control valve, brush roller overrun protection, switch valve for waste collection container and easy to maintain mounting point for rotary side brush; additional options include hydraulic flow control valves (up to 220 l/min), load sensing valves and electric 2 way valves to provide extra hydraulic services.
- Built onto the collection container, the side brush automatically folds in.

Technical details bema Jumbo

- Model has sweeping function without the collection container
- Either hydraulic or mechanical drive is available
- Pressure control valve and overrun protection (with hydraulic drive)
- Support wheel adjustment with spindle using hand wheel
- Laterally mounted chain drive
- Customized airport version: Cassette brushes (aluminium brush roller axle)



bema Jumbo

Main brush Ø 920 mm

- Free sweeping
- Pneumatic support wheels
Ø 460 x 145 mm
- Hydraulic or mechanical drive

The colossal and extremely powerful bema Jumbo easily handles daily heavy use on construction sites, at recycling depots, airports or for winter road services. The particularly robust mounting placed in the centre of the machine makes this mounted sweeper a really heavy weight among sweepers.



Attaches to:

- Wheel loader
- Telescopic loader
- Tractor (Front- or rear mounting)
- Special vehicle

TEAM CLEAN
SUPERHEROES

Technical data

Machine type (= working width in mm)	bema Jumbo 2750	bema Jumbo 3000	bema Jumbo 3250	bema Jumbo 3500
Hydraulic drive	Gerotormotor (heavy-duty industrial quality)			
Min. fluid throughput	60 ltr/min			
Machine weight without extras	approx. 960 kg	approx. 986 kg	approx. 1025 kg	approx. 1054 kg
Main brush	Ø 920 mm			
Brush revolutions	recommended 80 rpm - max. 120 rpm			
Water spray system	400 ltr. water tank, tank filter and 12/24 volt pump			

bema reserves the right to change the technical data at any time.



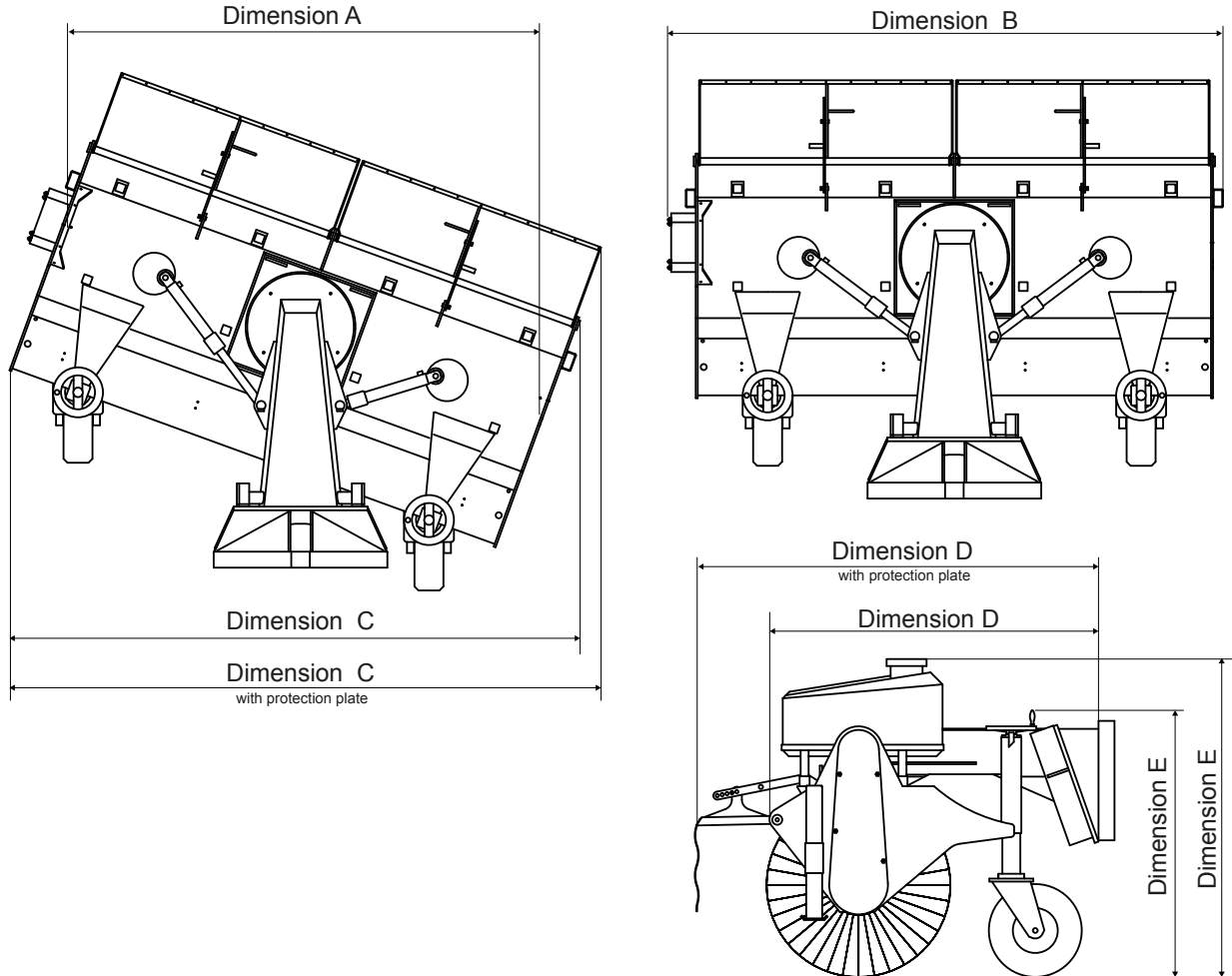
Basic configuration

- **Main brush Ø 920 mm** PPN; infinitely adjustable
- **Hydraulic drive** with powerful Gerotormotor (heavy-duty industrial quality); drive shaft Ø 32 mm
- **Pressure release valve** 180 bar (to protect the hydraulic system)
- **Run on system** prevents sudden stop of the heavy brush
- **Hydraulic connector** SVK size 3
- **Pneumatic support wheels Ø 460 x 145 mm**, dust proof and greasable roller bearings and reinforced forks
- **Swivelling mechanically**
- **Parking supports** (sides) with quick locking and **loading loops** with large openings
- **Series two component painting** orange RAL 2011
- **CE certification** and operating manual

Optional extra equipment

- **Attaches to: wheel loader, tractor (front or rear mounting)**
- **Mechanical drive** incl. drive shaft (with Duplex chain, recommended for snow sweeping)
- **Protection plate** incl. rubber spray protector, adjustable in height depending on the type of dirt (e.g. snow sweeping)
- **Hydraulic swivelling** by 2 hydraulic cylinders (additional double hydraulic circuit is necessary)
- **Electrical 2 way-valve** (necessary when a second hydraulic circuit is not present)
- **Water spray system** 400 ltr. complete with 12/24 volt pressure pump, internal filter, spray pipe with flat spray jets
- **Flow control valve** for carrying vehicles with an hydraulic output of more than 80 ltr/min
- **Super-Elastic wheels Ø 460 x 145 mm**
- **Lighting system** (necessary if used on public roads)
- **Flag holder including warning flags and warning marks**
- **Hydraulic connector on demand**
- **Special paint finish**
- **Special construction** on request
- **Extra optional equipment for Airports:** Main brush with cassette system (aluminium shaft) enables simple replacement of brush segments.

Technical data sheet bema Jumbo



Type		2750	3000	3250	3500
Dimensions in mm					
Dimension		2750	3000	3250	3500
Dimension A	Working width swivelled 20°	2537	2753	3054	3289
Dimension B	Machine width (total) swivelled 0°	2981	3211	3531	3781
Dimension C	Machine width (total) swivelled 20° without protection plate	3045	3261	3562	3797
Dimension C	Machine width (total) swivelled 20° with protection plate	3150	3366	3667	3902
Dimension D	Machine length (total) without/with protection plate	1647 / 2014			
Dimension E	Machine height (total) without/with water tank	1335 / 1592			
Weight in kg					
Sweeper without protection plate		920	944	978	1005
Protection plate		40	42	47	49
total		960	986	1025	1054
Water spray system		plus approx. 60			
Attchment (other vehicles)		varies from vehicle to vehicle			

Dimensions and weights are approximately and without engagement!